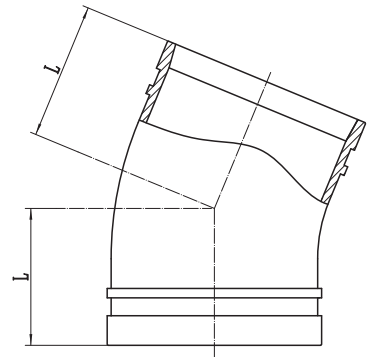


Nominal Size mm/in	Pipe O.D mm/in	Dimensions	Working pressure (Psi)
		L (mm)	
50	60.3	48	300
2	2.375		
65	73	51	
2½	2.875		
65	76.1	51	
2½	3		
80	88.9	57	
3	3.5		
100	108	73	
4	4.25		
100	114.3	73	
4	4.5		
125	133	73	
5	5.25		
125	139.7	73	
5	5.5		
125	141.3	73	
5	5.563		
150	159	79	
6	6.25		
150	165.1	79	
6	6.5		
150	168.3	79	
6	6.625		
200	219.1	98	
8	8.625		

Grooved 22.5° Elbow



Grooved 11.25° Elbow

Nominal Size mm/in	Pipe O.D mm/in	Dimensions	Working pressure (Psi)
		L (mm)	
50	60.3	35	300
2	2.375		
65	73	38	
2½	2.875		
65	76.1	38	
2½	3		
80	88.9	38	
3	3.5		
100	108	45	
4	4.25		
100	114.3	45	
4	4.5		
125	133	51	
5	5.25		
125	139.7	51	
5	5.5		
125	141.3	51	
5	5.563		
150	159	51	
6	6.25		
150	165.1	51	
6	6.5		
150	168.3	51	
6	6.625		
200	219.1	51	
8	8.625		

